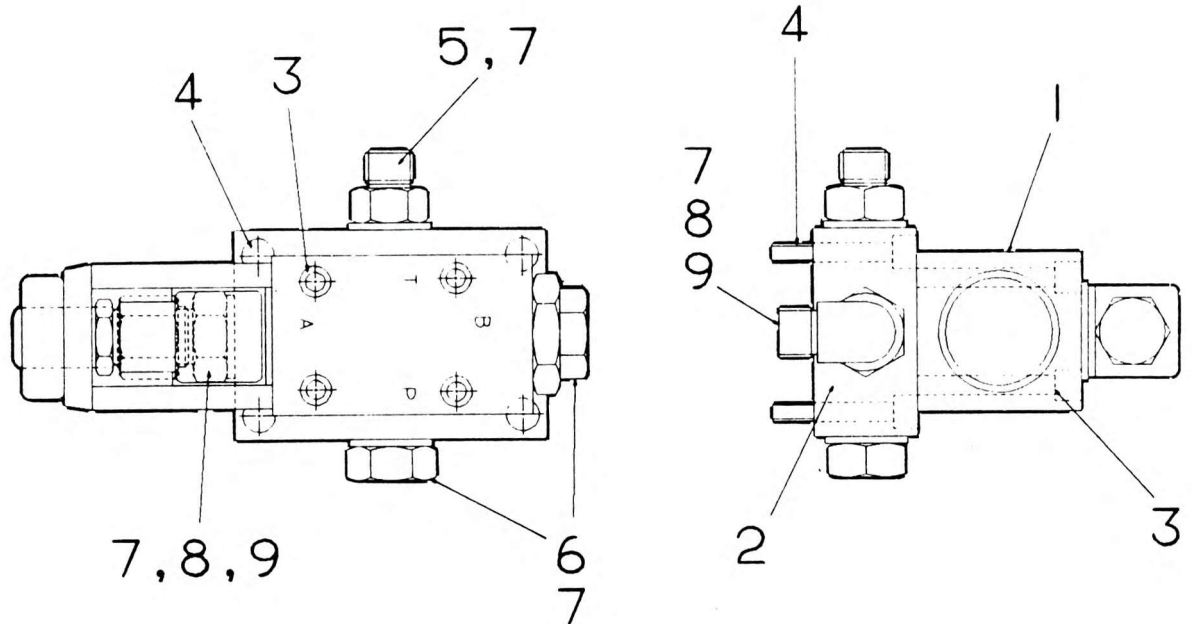


ARMREST PILOT DUMP ASSEMBLY



NO.	PART NO.	QTY.	DESCRIPTION	NO.	PART NO.	QTY.	DESCRIPTION
1 +	8353988	1	Control Valve				
2	8865709	1	Subplate for Solenoid Valve				
3	7097614	4	Socket Head Cap Screw M5 x 40 Long				
4	7097613	4	Socket Head Cap Scrwe M5 x 35 Long				
5	7-443-991181	1	Adaptor $\frac{3}{8}$ " x $\frac{1}{4}$ "				
6	7-709-990044	2	Plug $\frac{3}{8}$ " BSP				
7	7355204	4	Seal Dowty $\frac{3}{8}$ " BSP/ ORFS				
8	7-443-990912	1	Adaptor $\frac{3}{8}$ " BSPP				
9	7-447-060633	1	Elbow				

+ See further breakdown in this group

6-926-990425
Issue No. 02